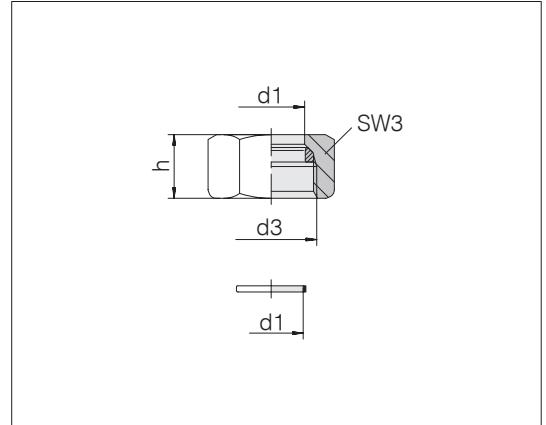


VOSS Form SQR

Steel / stainless-steel set comprising

- SQR-function nuts
- moulded seals

Standard moulded-seal material is FKM



Series	d3	Pressure	h	SW3	kg/100 ca.	Order-No.	Designation steel	Order-No.	Designation stainless steel	
L	6	M 12 x 1.5	PN 500	14.5	14	1.1	0015502167	24-SQRNMS-L6-PU300	0015506067	24-SQRNMS-L6-SST-PU100
L	8	M 14 x 1.5	PN 500	14.5	17	1.7	0015512167	24-SQRNMS-L8-PU250	0015516067	24-SQRNMS-L8-SST-PU100
L	10	M 16 x 1.5	PN 500	15.5	19	2.0	0015522167	24-SQRNMS-L10-PU150	0015526067	24-SQRNMS-L10-SST-PU100
L	12	M 18 x 1.5	PN 400	15.5	22	2.8	0015532167	24-SQRNMS-L12-PU100	0015536067	24-SQRNMS-L12-SST-PU100
L	15	M 22 x 1.5	PN 400	17	27	4.7	0015542167	24-SQRNMS-L15-PU60	0015546067	24-SQRNMS-L15-SST-PU50
L	18	M 26 x 1.5	PN 400	18	32	6.9	0015552167	24-SQRNMS-L18-PU45	0015556067	24-SQRNMS-L18-SST-PU45
L	22	M 30 x 2	PN 250	20	36	8.9	0015562167	24-SQRNMS-L22-PU30	0015566067	24-SQRNMS-L22-SST-PU30
L	28	M 36 x 2	PN 250	21	41	9.4	0015572167	24-SQRNMS-L28-PU25	0015576067	24-SQRNMS-L28-SST-PU25
L	35	M 45 x 2	PN 250	24	50	15.0	0015582167	24-SQRNMS-L35-PU15	0015586067	24-SQRNMS-L35-SST-PU15
L	42	M 52 x 2	PN 250	24	60	23.0	0015592167	24-SQRNMS-L42-PU10	0015596067	24-SQRNMS-L42-SST-PU10
S	6	M 14 x 1.5	PN 800	16.5	17	2.0	0015602167	24-SQRNMS-S6-PU200	0015606067	24-SQRNMS-S6-SST-PU100
S	8	M 16 x 1.5	PN 800	16.5	19	2.3	0015612167	24-SQRNMS-S8-PU150	0015616067	24-SQRNMS-S8-SST-PU100
S	10	M 18 x 1.5	PN 800	17.5	22	3.5	0015622167	24-SQRNMS-S10-PU100	0015626067	24-SQRNMS-S10-SST-PU100
S	12	M 20 x 1.5	PN 630	17.5	24	3.9	0015632167	24-SQRNMS-S12-PU90	0015636067	24-SQRNMS-S12-SST-PU50
S	14	M 22 x 1.5	PN 630	20.5	27	5.8	0015642167	24-SQRNMS-S14-PU60	0015646067	24-SQRNMS-S14-SST-PU50
S	16	M 24 x 1.5	PN 630	20.5	30	7.1	0015652167	24-SQRNMS-S16-PU50	0015656067	24-SQRNMS-S16-SST-PU50
S	20	M 30 x 2	PN 420	24	36	11.3	0015662167	24-SQRNMS-S20-PU25	0015666067	24-SQRNMS-S20-SST-PU25
S	25	M 36 x 2	PN 420	27	46	21.2	0015672167	24-SQRNMS-S25-PU15	0015676067	24-SQRNMS-S25-SST-PU15
S	30	M 42 x 2	PN 420	29	50	23.3	0015682167	24-SQRNMS-S30-PU10	0015686067	24-SQRNMS-S30-SST-PU10
S	38	M 52 x 2	PN 420	32.5	60	34.4	0015692167	24-SQRNMS-S38-PU6	0015696067	24-SQRNMS-S38-SST-PU6

To reduce the assembly forces, the union nuts are coated with wax lubricant.

The order is placed in packaging units, for example PU100=packing unit 100 pieces.